

### DESCRIPTION

The HCC-1 is designed for on-surface controlled centralized blasting. It incorporates a cable fault detection system which provides an audible and visual warning of short circuit faults. The unit continuously monitors up to 100 HydraDet Centralized Blasters gathering information regarding the system and displays it in real time on the graphical user interface (GUI).

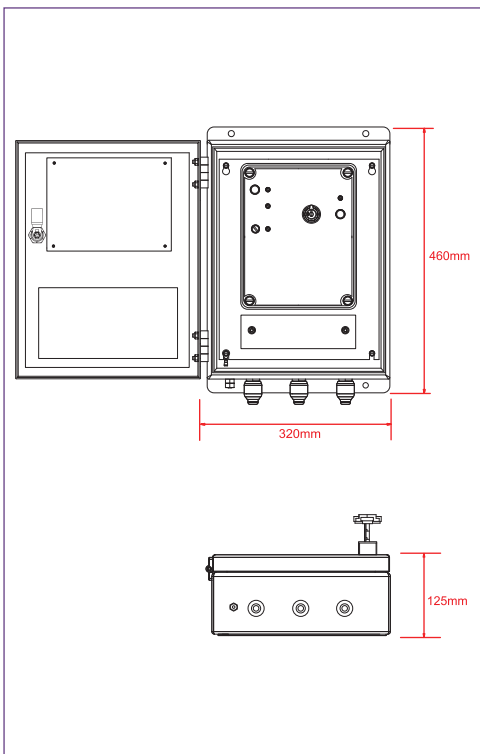
The HydraDet Centralized Controller is capable of operating over a wide supply voltage range (110-250V<sub>AC</sub>) and is supplied in a sealed, lockable steel enclosure with a polycarbonate window to allow full view of the status lights.

### BENEFITS



- Provides blasting output for up 120 seconds to ensure all detonators initiate properly.
- The HCC-1 will not fire if there is a cable fault detected prior to the selection of READY position.
- If mains is interrupted at any time the buzzer will sound until reset.
- All important functions are indicated by the status lights.
- The FIRING key is removable in the OFF position only, ensuring that when the key is removed, unauthorized firing cannot take place.
- A door alarm switch operates an external alarm when the HydraDet Centralized Controller door is opened.

### TECHNICAL SPECIFICATIONS



SPECIFICATION	PROPERTIES
Function	Controlled firing of up to 100 HydraDet Centralized Blasters.
GUI	Graphical User Interface displaying the status and data of the entire HydraDet Centralized Blasting System in real time allowing for monitoring and fault detection.
Firing Light	Lights up for 120 seconds during blasting period.
Alarm Light	Latches to indicate that either power was lost and restored to the HCC-1 or that a cable fault has occurred.
Cable Fault Light	Indicates that the resistance between cable leads has dropped below 2kΩ while the key switch of HCC-1 is in OFF position.
Mains Supply	110-250V <sub>AC</sub> .
Construction	Encapsulated circuitry in an IP65, sealed, plastic enclosure which is housed in a sealed, lockable, steel cabinet with a polycarbonate window to allow full view of the HCC-1 status lights.
Dimensions	Plastic enclosure: 260mm x 200mm x 100mm. Steel enclosure: 460mm x 320mm x 150mm.
Mass	12.5kg.
Temperature Range	-5 °C to 45 °C.