

### DESCRIPTION

The HCB-1 is designed to operate with the HydraDet Centralized Controller. It can only be fired from the HydraDet Centralized Controller and can successfully fire up to 500 Electronic HydraDet Detonators over a wide supply voltage range (110-250V<sub>AC</sub>). Regular monitoring of the blasting circuit and key switch position is performed.

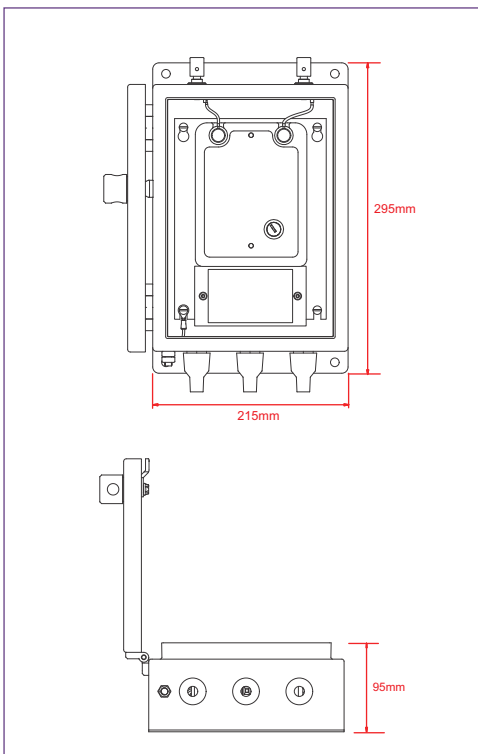
The HCB-1 has a built-in battery backup allowing for 12 hours of use and is supplied in a sealed, lockable steel enclosure with a polycarbonate window to allow full view of the status lights.

### BENEFITS



- Provides blasting output for up to 500 Electronic HydraDet Detonators.
- The HCB-1 provides for Bluetooth connectivity that allows for enrolling detonators with customized delay time using the HydraDet Logger.
- The HCB-1 programs default delay for connected detonators not previously enrolled.
- If mains is interrupted the unit can still operate for up to 12 hours using the internal backup battery.
- All important functions are indicated by the status lights.

### TECHNICAL SPECIFICATIONS



SPECIFICATION	PROPERTIES
Detonator	Only compatible with Electronic HydraDet Detonators.
Firing Capacity	The HCB-1 can fire up to 500 Electronic HydraDet Detonators.
Status Light	Tri-coloured light indicating multiple states. Refer to the HydraDet Centralized Blaster Manual or on the inside of steel enclosure door.
Mode Select Switch	Inhibits firing when in the STANDBY position. Programs detonator delay times when ARMED; passes control to HCC-1. Keyswitch position does not affect the operation of the supply light.
Supply Light	Indicates that Mains is connected and internal battery is charging.
Nominal Voltage	8.4V.
Control Voltage	Modified 110-250V <sub>AC</sub> 50Hz in firing mode; does not fire at less than 100V <sub>AC</sub> . 36V <sub>DC</sub> in cable network test (standby) mode.
Mains Supply	110-250V <sub>AC</sub> .
Construction	Encapsulated circuitry in an IP65, sealed, plastic enclosure which is housed in a sealed, lockable, steel cabinet with a polycarbonate window to allow full view of the HCB-1 status lights.
Dimensions	Plastic enclosure: 163mm x 125mm x 66mm. Steel enclosure: 295mm x 215mm x 95mm.
Mass	6.2kg.
Temperature Range	-5 °C to 45 °C.